



# DWM-311-TP 4G PoE Modem

## Key Features



WAN Status Monitoring



Plug & Play



VPN Security



PoE PSE



Industrial Grade Design



Management Platform

D-Link's DWM-311-TP 4G M2M modem provides 4G-LTE cellular capability. Equipped with a Fast Ethernet port and supporting 802.3af/at PoE, this modem ensures rapid and reliable connection to any local device, providing both power and data over a single cable for streamlined deployment.

## 4G M2M Communications

The DWM-311-TP 4G modem is specifically designed for real-time remote access, providing seamless connectivity across long distances for machines. This true plug-and-play system is perfect for small-scale deployments, ensuring hassle-free installation. It also includes a VPN client to secure communications, protecting data integrity and privacy across the network. Enhance local customer engagement through a reliable 4G network, for example, by delivering timely information, advertisements, and services. Optimize your operations and customer interactions effortlessly with our secure and efficient technology solution.

## Power Device via Ethernet

The DWM-311-TP features an one port Fast Ethernet interface and equipped with 802.3af/at PoE functionality that facilitates seamless connectivity to any Ethernet PD device, additionally it also equipped with PD equipment detection functionality. If a PD device fails to respond, the system will automatically power cycle, forcing a reboot of the PD device to ensure stable operation

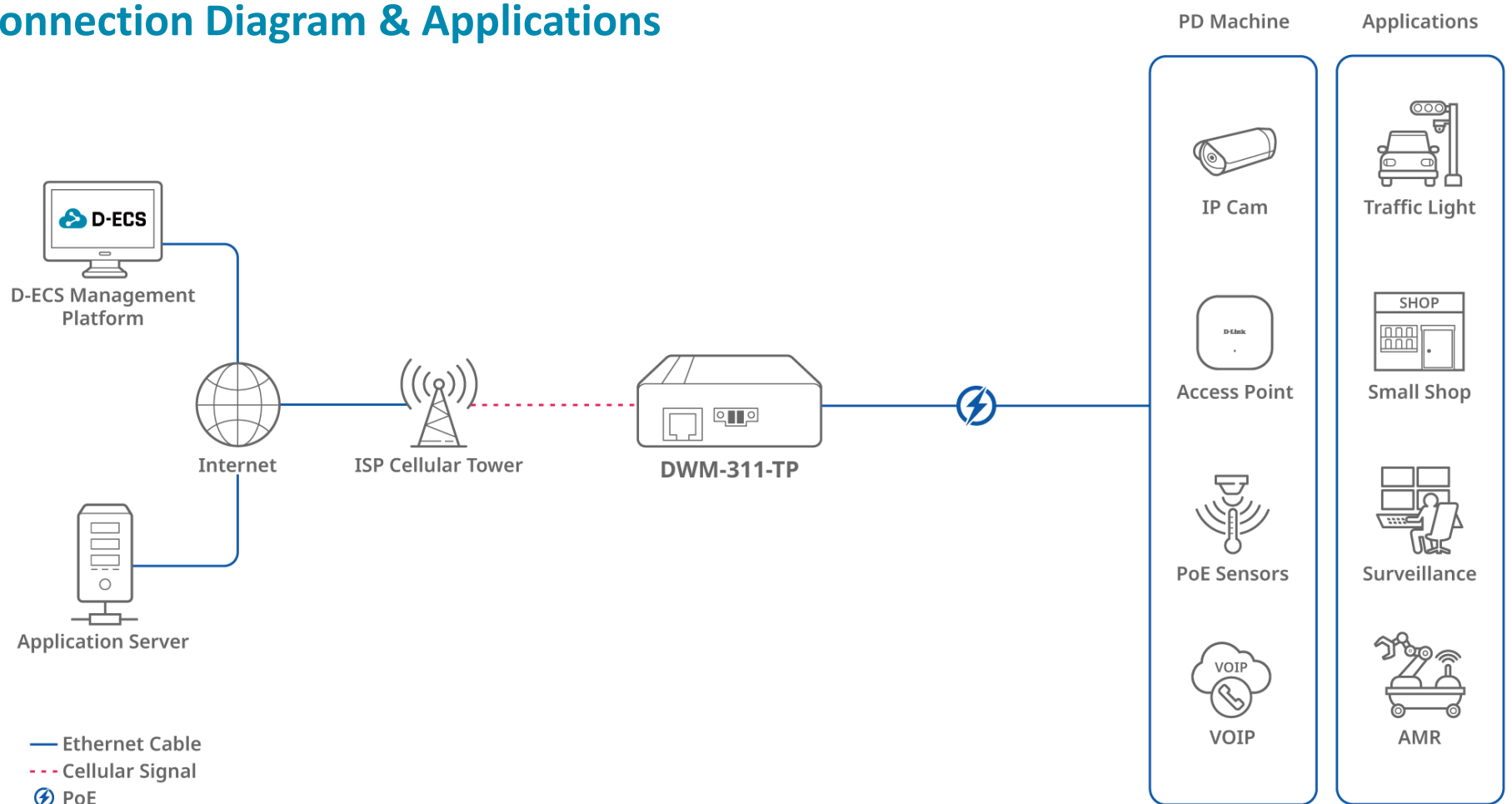
## Applications

- Traffic Light
- Small Shop
- Surveillance
- AMR

## Suitable for Harsh Environment

The DWM-311-TP is designed to withstand harsh environments with its metal casing ensuring durability and operates within a broad temperature range from -30 to 70°C. It supports PoE with a wide input voltage range of DC 50-57V. Additionally, the model features built-in Network Address Translation (NAT) and bridge mode, simplifying network setup while enhancing security and interconnectivity.

## Connection Diagram & Applications



# Specifications

## Device Interface

- Cellular Module: 4G LTE-Cat.4
- SIM Slot: 1\*SIM(4FF Nano)
- Ethernet: 1\*RJ45 LAN FE with PoE-PSE 802.3at
- Power Input: DC 50-57V (TB)(2-pin)
- Antenna Connector: 2\*SMA(F)-Cellular

## Performance<sup>1</sup>

- Maximum Cellular Data Throughput:  
LTE: 150 Mbps (DL) / 50 Mbps (UL)

## WAN

- Cellular: NAT, Bridge
- Network Monitor: ICMP Checking

## Network

- DHCP : DHCP Server
- Port Forward: Virtual Server
- DDNS: DynDNS, No-IP, Dynamic DO
- PoE: Power Control, ON/OFF by Network checking, Scheduled ON/OFF
- IPv4/v6

## Security

- VPN Tunnel: OpenVPN
- VPN Usage: Client mode

## Firewall

- Firewall: IPS
- Access Control: Packet Filter, MAC Filter

## Administration

- Configuration: Web UI, SSH
- Management: D-Link D-ECS<sup>2</sup>
- System: FW Upgrade, Reboot & Reset, System Time, NTP Service
- Scheduling: reboot rule policy, working day
- SMS Service: SMS Inbox, SMS Event Management

## Status

- Network Status: Connection information, Cellular Signal Quality
- Cellular Mobile: Cellular Modem Information/Status, Cellular Network Status, Cellular Signal Quality
- Security: VPN Status

## Environment

- OP/Store Temp.:  
Operating Temperature -30 to 70 °C (-22 °F to 158 °F)  
Storage Temperature -40 to 85 °C (-40 °F to 185 °F)
- Humidity:  
Operating Humidity 10% to 95% non-condensing  
Storage Humidity 0 to 95% non-condensing
- Dimensions: 78 x 70 x 29 mm

## Standard Package

- 2\* Cellular SMA Antennas
- 1\* RJ-45 Cable
- 1\* Power Adapter
- 1\* Terminal Block (2-pin)
- 1\* DIN-Rail kit

## Available Versions

### SKU List<sup>3</sup>

#### EU SKU (HW: A1): 4G LTE

- LTE-FDD: B1/B3/B7/B8/B20/B28A
- LTE-TDD: B38/B40/B41

#### US SKU (HW: A2): 4G LTE

- LTE: B2/B4/B5/B12/B13/B14/B66

## Certifications & Approvals

### Certification

- CE
- UKCA

<sup>1</sup> Data rates are theoretical. Data transfer rate depends on network capacity and signal strength.

<sup>2</sup> D-ECS License fees will apply.

<sup>3</sup> Supported frequency band is dependent upon hardware SKU.

