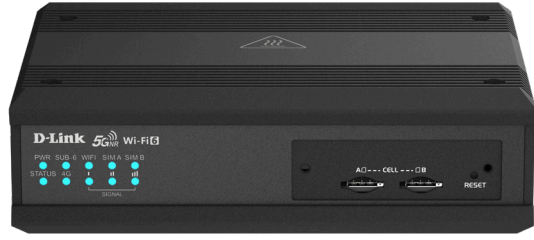


DTM-550-G

5G Transit Gateway



Key Features



**5G
SA & NSA**



**Wi-Fi 6
AX 1800**



**Dual-SIM
Failover**



**EN50155/
E-Mark**



**GPS
Location**



**Wide Voltage
Input Range**

Applications

- In-vehicle passenger Wi-Fi hotspot (rolling stock/high-speed rail, bus, caravan, and taxi)
- In-vehicle combo WAN (5G NR and Wi-Fi uplink service)
- GPS location for fleet management

The D-Link DTM-550-G 5G Transit Gateway offers seamless 5G NR and LTE connectivity for wireless uplink and downlink. It features a 5G/4G cellular module with dual SIM slots, four Gigabit Ethernet ports, and Wi-Fi 6 AX1800 technology for high-capacity connections. It enables real-time data exchange for passengers and vehicles, enhancing travel experiences. Connects service providers, passengers, vehicles, and ground systems into a unified network, improving communication and efficiency. Its rugged design complies with EN50155 standards, ensuring reliable performance in tough environments. With support for various protocols and advanced security features, the DTM-550-G is a versatile solution for modern transportation applications.

Enhanced Passenger Wi-Fi and Real-Time Telematics

The DTM-550-G 5G Transit Gateway transforms public transport experiences by providing high-speed invehicle Wi-Fi and real-time content updates. Passengers can enjoy seamless internet access and receive instant updates on weather and advertisements directly on digital signage, enhancing satisfaction in intelligent public transportation.

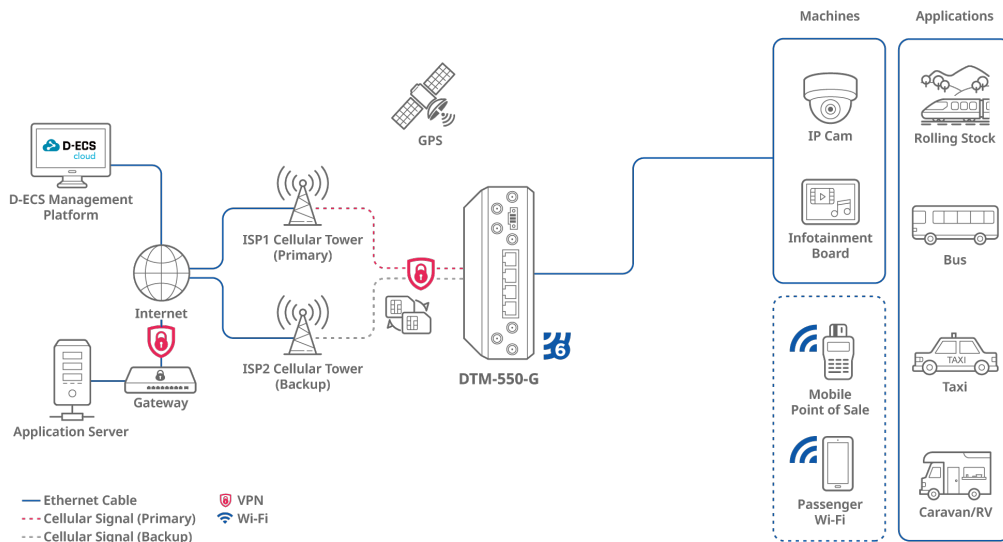
Optimize Vehicle Operation with Location-Based Services

The DTM-550-G equips fleet vehicles with precise GPS location positioning, integrating seamlessly into customer's fleet management for real-time vehicle tracking, and optimizing route planning. This enhances operational visibility and efficiency and supports improved decision-making.

Robust Design with Vibration/Shock Resistance

Certified with EN50155 and E-Mark, the DTM-550-G design withstands vibrations, shocks, and extreme temperatures, ensuring data transmission stability even in moving vehicles. Ideal for demanding M2M applications in public transportation, it meets rigorous safety and regulatory standards for seamless automotive integration.

Connection Diagram



Specifications

Device Interface

- Cellular: 3GPP Rel. 16, 5G (sub-6 GHz), 4G (DL Cat 19/UL Cat 18)
- SIM Slot: 2 x SIM (Nano SIM) with auto failover, optional eSIM
- Ethernet: 1 x GE WAN/LAN port, 3 x GE LAN ports
- Wi-Fi: Wi-Fi 6 AX1800 (2.4 GHz/5 GHz)
- GNSS: GPS/GLONASS
- Ignition Sense: 1 x IGN (ignition sense) for power control
- Power Input: DC 12-36 V terminal block
- Antenna Connectors: 4 x SMA (F) cellular, 2 x SMA (RP-F) Wi-Fi, 1 x SMA (F) GPS

Performance¹

- Maximum Cellular Data Throughput:
 - 5G NSA: 3.4 Gbps (DL) / 550 Mbps (UL)
 - 5G SA: 2.4 Gbps (DL) / 900 Mbps (UL)
 - LTE: 1.6 Gbps (DL) / 200 Mbps (UL)
- Maximum Wi-Fi Data Rate:
 - 2.4 GHz: Up to 574 Mbps
 - 5 GHz: Up to 1201 Mbps

WAN

- WAN Interface: Cellular, Ether-WAN, Wi-Fi
- Multi-WAN Function: Failover, load balance
- Cellular: NAT, bridge
- Ether-WAN: Dynamic IP, static IP, PPPoE
- Connection Monitoring: Ping/DNS query reboot

Network

- LAN & VLAN: DHCP server/relay, port/tag-based VLAN
- Routing: Static, dynamic RIPv1/v2, OSPF, BGP
- DDNS: DynDNS, No-IP, dynamic DO
- QoS: Traffic priority queuing by source/destination, service

Wi-Fi

- Function: Multi SSID, WIDS, AP router mode, station
- Security: WPA2-PSK, WPA2, WPA-PSK/WPA2-PSK, WPA3-SAE, WPA2-PSK/WPA3-SAE, WPA3, 802.1x
- Encryption: WEP, AES, TKIP/AES

Services

- Cellular Toolkit: Data usage, SMS, SIM PIN, network scan
- Event Management: SMS, e-mail

VPN

- VPN Tunnel: IPSec, OpenVPN, PPTP, L2TP, GRE, WireGuard
- VPN Pass Through: IPSec, PPTP, L2TP

Security

- Firewall: SPI firewall, IPS, port forward, ALG
- Access Control: MAC/IP filter, URL blocking

Administration

- Management: SNMPv1/2/3, D-Link D-ECS²
- Maintenance: Web UI, diagnostic tools via ping/tracert
- System: FW upgrade, backup and restore config, reboot and reset
- Logging: System log, external syslog server

Monitoring

- Device Status: CPU/memory usage, connection sessions, WAN status, client list
- Cellular Status: IMSI, ICCID, operator, connection state, connected band, RSSI, SINR, RSRP, RSRQ, LAC, TAC, cell ID, MCC, and MNC
- Security: VPN status, firewall status
- Statistics and Reports: Cellular signal, cellular usage

Actual performances may vary due to settings, cabling, temperature, network configuration, interface, device compatibility, environmental and on-site conditions, and other similar factors. References to power capability, signal or processing speed, signal range or distance, data encryption, storage capacity, display properties, or other performance metrics are based on optimal conditions derived from industry standards and provided for informational purposes only. Specifications may be subject to change without prior notice.

Operating Environment

- Operating Temperature: -30 to 70°C (-22°F to 158°F)
- Storage Temperature: -40 to 85°C (-40°F to 185°F)
- Operating Humidity: 10% to 95% non-condensing
- Storage Humidity: 0 to 95% non-condensing
- Dimensions: 160 x 133.2 x 47 mm

Certifications and Approvals

- Certifications: CE, UKCA, EN50155, E-Mark, VCCI, JATE, TELEC
- Cyber Security: EN 18031-1, EN 18031-2, EN 303645

Package Contents (Standard)

- 4 x Cellular SMA Antennas
- 2 x Wi-Fi RP-SMA Antennas
- 1 x Terminal Block (3-pin)
- 2 x Wallmount Brackets
- 1 x RJ-45 Cable

Available Versions

EU SKU (HW: A1)

5G NR	n1/n3/n5/n7/n8/n20/n28/n38/n40/n41/n71/n75/n76/n77/n78
4G LTE	FDD: B1/B3/B5/B7/B8/B20/B28/B32/B71
	TDD: B38/B40/B41/B42/B43

TWN SKU (HW: B1)

5G NR	n1/n2/n3/n5/n7/n8/n20/n25/n28/n30/n38/n40/n41/n48/n66/n71/n77/n78/n79
4G LTE	FDD: B1/B2/B3/B4/B5/B7/B8/B12/B13/B14/B17/B18/B19/B20/B25/B26/B28/B29/B30/B32/B66/B71
	TDD: B34/B38/B39/B40/B41/B42/B43/B46 (LAA)/B48

Japan SKU (HW:A3)

5G NR	n1/n2/n3/n5/n7/n8/n12/n13/n14/n18/n20/n25/n26/n28/n29/n30/n38/n40/n41/n48/n66/n70/n71/n75/n76/n77/n78/n79
4G LTE	FDD: B1/B2/B3/B4/B5/B7/B8/B12/B13/B14/B17/B18/B19/B20/B25/B26/B28/B29/B30/B32/B66/B71
	TDD: B34/B38/B39/B40/B41/B42/B43/B46(LAA)/B48

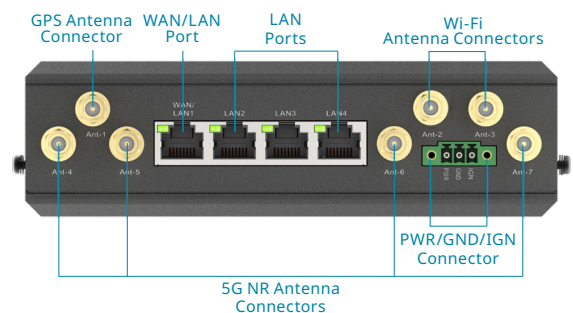
¹ Data rates are theoretical. Data transfer rate depends on network capacity and signal strength.
² You only have to pay a M2M device license fee when applying for D-ECS license.

Hardware

Front View



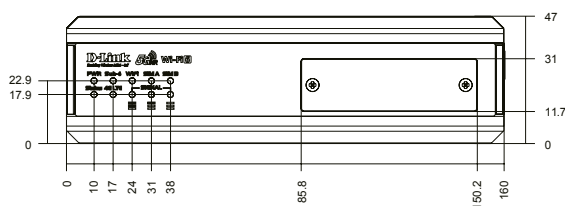
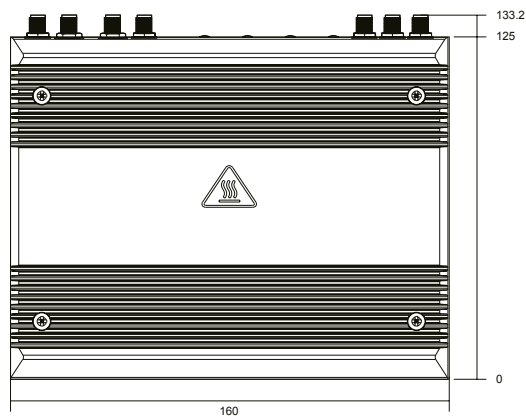
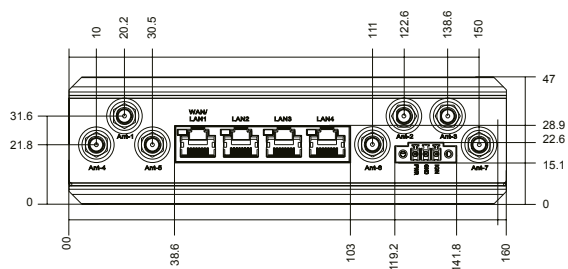
Back View



Spatial Measurement

The following diagrams provide the product's physical dimensions measured from top, front, left, and right views for installation and integration reference.

Unit: mm



Mounting Space Requirements

