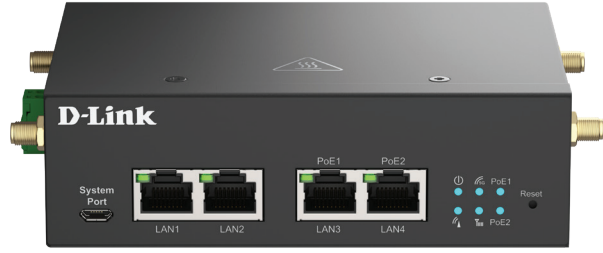


DWM-314-GP

5G Multi-Connect PoE Modem



Key Features



5G
SA & NSA



2-Port PoE
Connectivity PSE



Dual-SIM
Failover



VPN
Security



Industrial
Grade Design



Management
Platform

Applications

- Traffic Light
- Small Shop
- Surveillance
- Bus Stop

D-Link's DWM-314-GP 5G Multi-Connect PoE Modem provides 5G-NR and 4G-LTE dual-mode connectivity. It also features four Gigabit Ethernet ports, including two ports equipped with PoE functionality, for connectivity extension to meet M2M application requirements.

Powering Smart City Innovations with 5G

The DWM-314-GP harnesses the power of 5G to deliver ultra-fast speeds and low latency, ensuring dependable connectivity. Featuring dual SIM slots with failover capabilities, it provides uninterrupted service even if one network is down. Ideal for constructing smart city infrastructures such as smart poles for traffic monitoring, digital signage advertising, and environmental sensing, this plug-and-play modem simplifies installation for quick deployment. With its ability to switch seamlessly between 4G and 5G, the DWM-314-GP maintains stable connectivity in varying network conditions, enhancing local engagement by delivering timely information, advertisements, and services efficiently.

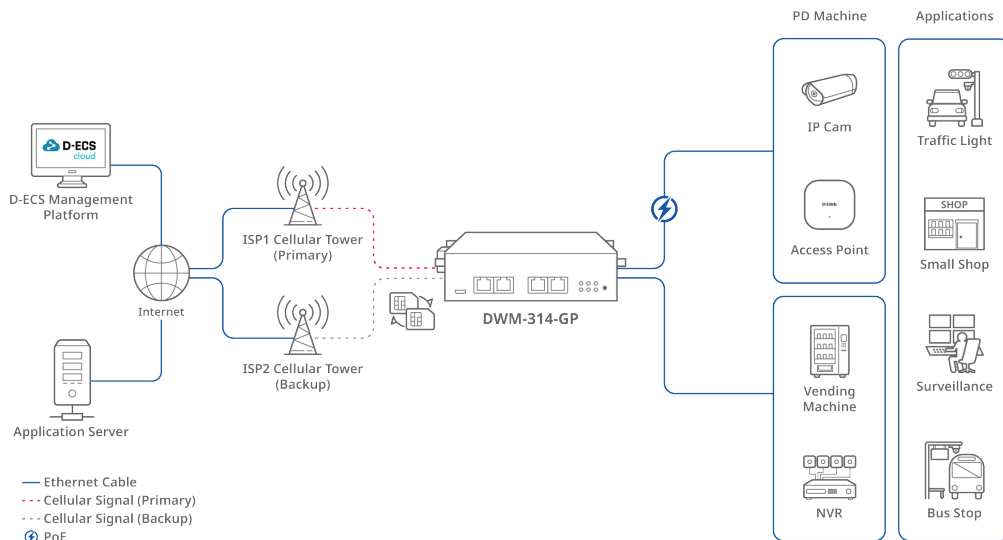
Empower Your M2M Network with PoE+

The DWM-314-GP, featuring a built-in 4-port Gigabit switch and 802.3af/at Power over Ethernet (PoE+) technology, delivers both data and power through Ethernet cables. As a true PSE (Power Sourcing Equipment) solution, it streamlines M2M communication for IoT applications, reducing the need for separate electrical infrastructure and lowering installation costs of extra PoE switch. Ideal for powering surveillance cameras, digital signage, wireless access points, and IoT sensors, it offers flexible device placement without extra wiring. Its PD-Alive feature minimizes downtime, ensuring continuous operation, while PoE scheduling optimizes power use and cuts energy costs.

Robust Build Quality

The industrial-grade casing provides reliable high-speed connectivity in extreme conditions. The corrosion resistant zinc-plated steel case with wide operating temperature range and humidity tolerance mean that the DWM-314-GP is ready for the most demanding M2M applications in virtually any environment. Convenient wall and DIN-rail mounting options allow the DWM-314-GP to be mounted virtually anywhere to optimize signal quality. The DWM-314-GP is also engineered to safely accept wide input voltage (VDC 48-57V) fluctuations, providing more flexibility and convenience when selecting a suitable power source, making your M2M installations significantly more reliable and much easier to deploy.

Connection Diagram



Specifications

Device Interface

- Cellular: 3GPP Rel. 16, 5G (sub-6 GHz), 4G (DL Cat 19/UL Cat 18)
- SIM Slot: 2 x SIM (Micro SIM) with auto failover
- Ethernet: 2 x GE LAN ports, 2 x GE PoE LAN ports with PoE-PSE 802.3at
- PoE Max Power per Port (at PSE): 30 W max
- PoE Power Budget (at PSE): 60 W
- Power Input: DC 48-57 V terminal block
- Antenna Connectors: 4 x SMA (F) cellular

Performance¹

- Maximum Cellular Data Throughput:
 - 5G NSA: 3.4 Gbps (DL) / 550 Mbps (UL)
 - 5G SA: 2.4 Gbps (DL) / 900 Mbps (UL)
 - LTE: 1.6 Gbps (DL) / 200 Mbps (UL)
- Maximum Wi-Fi Data Rate:
 - 2.4 GHz: Up to 574 Mbps
 - 5 GHz: Up to 1201 Mbps

WAN

- WAN Interface: Cellular
- Cellular: NAT
- Connection Monitoring: Ping query reboot

Network

- LAN & VLAN: DHCP server
- Routing: Static
- DDNS: DynDNS, No-IP, dynamic DO
- PoE Functions: PD failure check, PoE scheduling

Services

- Event Management: SMS

VPN

- VPN Tunnel: OpenVPN, WireGuard

Security

- Firewall: IPS, port forward
- Access Control: MAC/IP filter

Administration

- Management: D-Link D-ECS²
- Maintenance: Web UI
- System: FW upgrade, reboot and reset

Monitoring

- Device Status: Connection information
- Cellular Status: Cellular information/status, cellular signal quality
- Security: VPN status

Operating Environment

- Operating Temperature: -30 to 70°C (-22°F to 158°F)
- Storage Temperature: -40 to 85°C (-40°F to 185°F)
- Operating Humidity: 10% to 95% non-condensing
- Storage Humidity: 0 to 95% non-condensing
- Dimensions: 131 x 99 x 40 mm

Certifications and Approvals

- Certifications: CE, UKCA, FCC, PTCRB
- Approvals: AT&T, Verizon, T-Mobile

Package Contents (Standard)

- 4 x Cellular SMA Antennas
- 1 x RJ-45 Cable
- 1 x Power Adapter
- 1 x Terminal Block (2-pin)
- 1 x DIN-Rail Kit

Available Versions

EU SKU (HW: A1)

5G NR	n1/n3/n5/n7/n8/n20/n28/n38/n40/n41/n71/n75/n76/n77/n78
4G LTE	FDD: B1/B3/B5/B7/B8/B20/B28/B32/B71
	TDD: B38/B40/B41/B42/B43

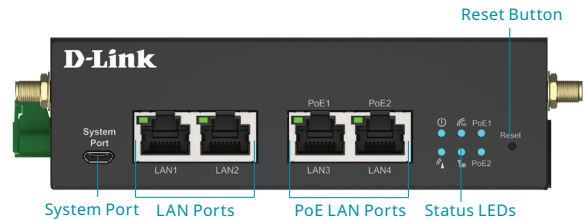
Global SKU (HW: A2)

5G NR	n1/n2/n3/n5/n7/n8/n12/n13/n14/n18/n20/n25/n26/n28/n29/n30/n38/n40/n41/n48/n66/n70/n71/n75/n76/n77/n78/n79
4G LTE	FDD: B1/B2/B3/B4/B5/B7/B8/B12/B13/B14/B17/B18/B19/B20/B25/B26/B28/B29/B30/B32/B66/B71
	TDD: B34/B38/B39/B40/B41/B42/B43/B46(LAA)/B48

- 1 Data rates are theoretical. Data transfer rate depends on network capacity and signal strength.
- 2 You only have to pay a M2M device license fee when applying for D-ECS license.

Hardware

Front View



Side Views

